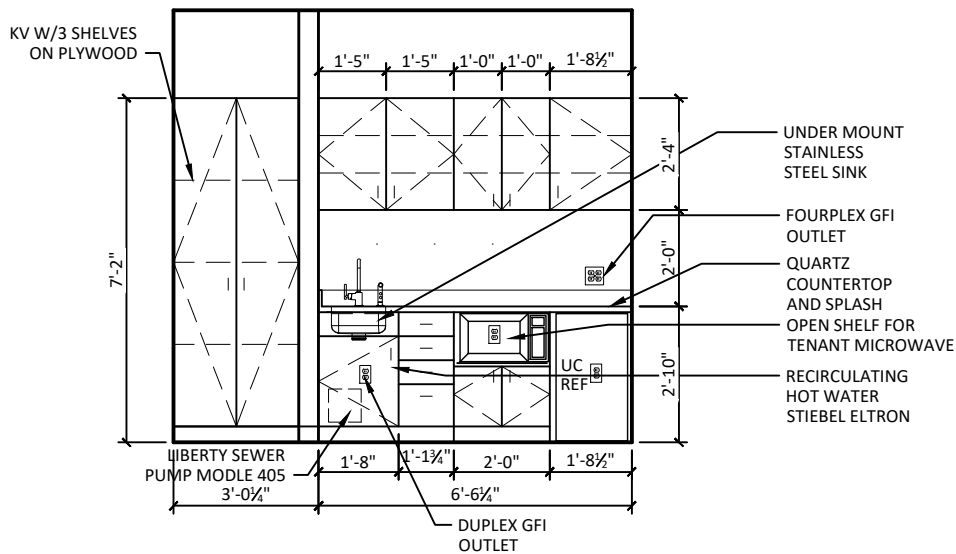


1 FLOOR PLAN
SCALE: 1/8" = 1'-0"



2 ELEVATION
SCALE: 1/4" = 1'-0"



GRAND CENTER
2642 EAST 21st. STREET
SUITE #183
TULSA, OKLAHOMA

Revision:	Description:	Date:

Plan Number:	10012
Drawn by:	SH
Checked by:	RS
Date:	1-20-2023

Contents
SUITE 180

Sheet Number

A1.0